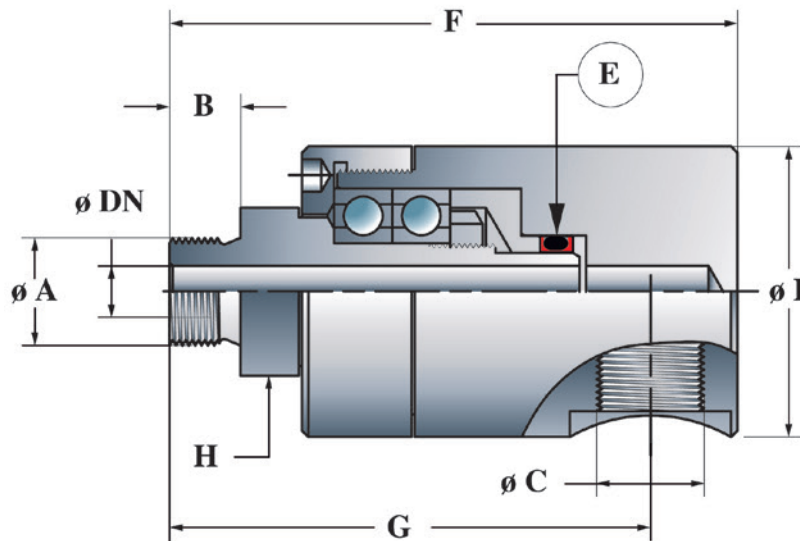


## TECHNICAL FEATURES



<b>REFERENCE</b>	Radial (90°) model : 700 J (BSPP) - 700 M (metric)
<b>DIMENSIONS</b>	ND 1/4" to 1" 14 x 150 to 33 x 200
<b>MATERIAL</b>	700 J - 700 M nickel plated steel ; radial outlet aluminum
<b>THREAD</b>	Male right-hand (BSPP and metric) Female BSPP
<b>PRESSURE</b>	See table
<b>TEMPERATURE</b>	120° C maximum
<b>ROTATION</b>	0 to 1500 r.p.m. depending on the diameter and pressure
<b>APPLICATION</b>	Hydraulic clutch control, lubricated or dry air
<b>OBSERVATIONS</b>	Ball bearing and Tefl on seal for easy rotation
<b>CONNECTION</b>	With hoses
<b>USE</b>	Oil, air, water (K)

Radial outlet = Ref. 700



BSPP		713 J	717 J	721 J	727 J	734 J
Metric		713 M	717 M	721 M	727 M	734 M
Old Ref.		3S 4102	3S 4158	3S 2226	3S 2786	3S 4199
Dimensions	A	Gaz 1/4"	3/8"	1/2"	3/4"	1"
		Métrique 14 x 150	18 x 150	22 x 150	27 x 200	33 x 200
	B	11	11	14	18	19
	C	1/4"	3/8"	1/2"	3/4"	1"
	DN	5	8	13	18	22
	E	GR8 V	GR12 V	GR18 V	GR25 V	GR35 V
	F	71	88	103	122	138
	G	57,5	74,5	88,5	116	136
	H/Plats	19	27	32	35	44
	I	38	44,5	60	75	94
	Ø J	5	5	5	5	5
Max. Pressure		100	100	70	50	50

700 series have a different design depending on the models. The above drawings show the 727 models.