

STANDARD MODEL:

Packing box in graphite with PTFE seal to avoid galling.
On request : all PTFE seal.

USE:

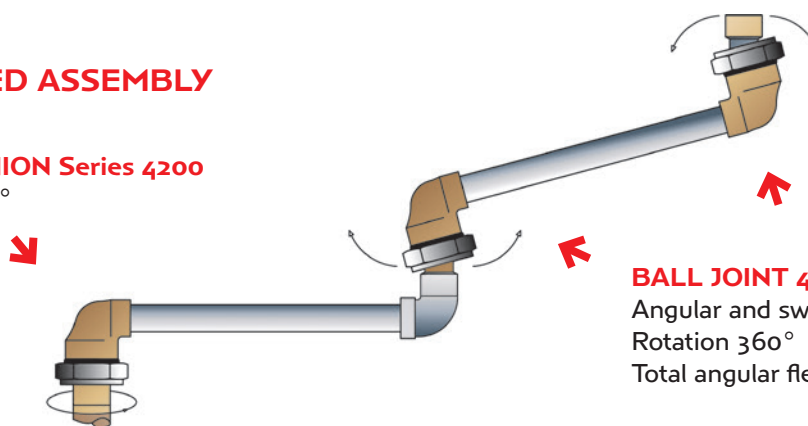
For water, hot water, steam, air, hydrocarbons, vacuum, chemicals, thermic fluids.

APPLICATION:

Heating plate press, laundry equipment, loading arms, coolant lines on rolling mill, oscillating autoclave, spinkler line of machine tools, fuel oil burner feeding.

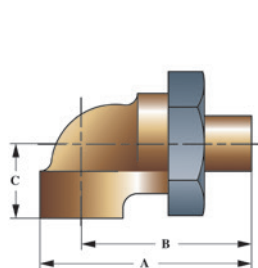
RECOMMENDED ASSEMBLY

SWIVEL UNION Series 4200
Rotation 360°

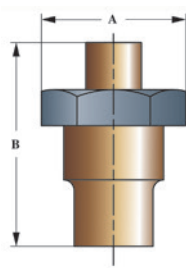


BALL JOINT 400 Series
Angular and swiveling motion
Rotation 360°
Total angular flex ± 15°

**2 TYPES OF SWIVEL UNIONS
2 TYPES OF BALL JOINTS**

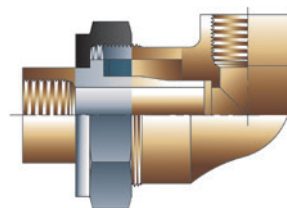


Type A: 1 Elbow
Series: 400



Type C: Straight
Series: 400

CUT-AWAY DRAWING MODELS A and C

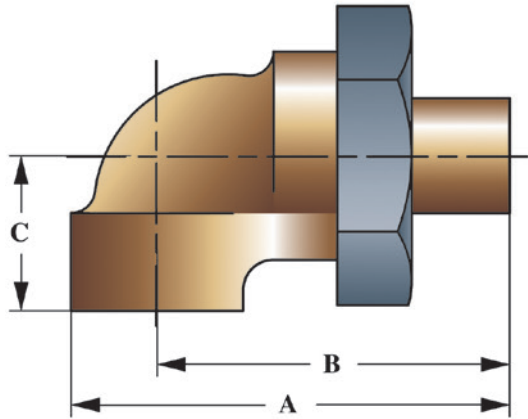


Series 400 Swivel Unions

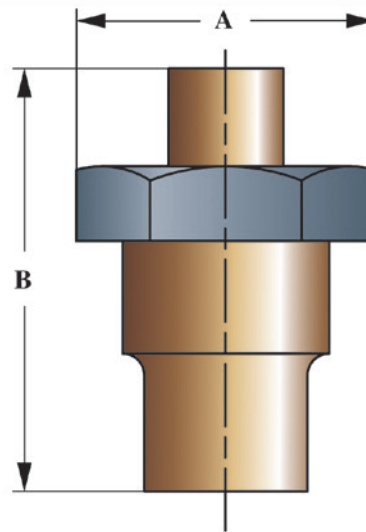
REFERENCES	400 SERIE
MODEL	A rotule
TYPE	A and C
DIMENSION	DN 1/2 up to 2" (3" on request)
MATERIAL	Bronze / steel nut
STUFFING	GRAPHITE/ PTFE)
THREADED END	Female / Female BSPP
WORKING PRESSURE	Up to 1" : 25 bar > 1" : 12 bar
WORKING TEMPERATURE	225°C Maximum
WORKING CONDITION	Articulated rotation
USE	Steam, water, air gas, hydrocarbons, chemicals hydrocarbons, etc.

REMARKS: Full bore to minimize pressure drop. On request, we can supply these couplings in steel for higher pressures and temperatures. (Type C only)

- Swivel joints
- Ball joints with stuffing box



Type A
1 Elbow



Type C
Straight



Ball joints, series 400

Thread R	Pipe Ø DN	Ref. Nr.	Type A				Type C		
			A	B	C	Kg approx weight	A	B	Kg approx weight
1/2"	15	421	103	88	35	0.8	62	93	0.7
3/4"	20	427	110	93	42	1	70	93	0.8
1"	26	434	122	102	49	1.1	75	103	1
1 1/4"	33	442	153	126	52	2.1	97	130	1.9
1 1/2"	40	449	175	145	62	2.5	116	134	2.1
2"	50	460	194	158	74	3.3	130	152	3

Other dimensions and forms on request
3" on request