



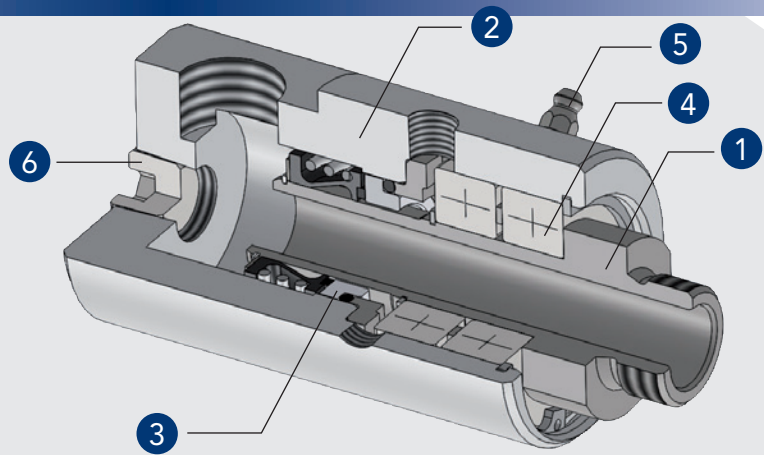
DWPA Series



Your First Choice
For Fluid Transfer solutions

DWPA Series

1	Rotor	Stainless Steel
2	Stator	Anodized Aluminum
3	Mechanical Seal	Silicon Carbide/ Carbon Graphite
4	Ball-Bearing	Carbon Steel
5	Grease fitting	Stainless Steel
6	Plug	Stainless Steel



Working Parameters

Rotation	Fluid	Maximum Pressure	Working Temperature	Material
up to 1750 rpm (1)	Water, Oils or non-corrosive fluids (2)	14 bars	up to 70° C (3)	Stator: Anodized Aluminum Rotor: Stainless Steel

1 – From 1751 rpm to 3000 rpm, maximum admissible pressure is 11.2 bars
 2 – Non-corrosive fluids to Anodized Aluminum
 3 – From 71°C to 100°C, maximum admissible pressure is 11.9 bars

The Duff Norton Europe DWPA Series Rotary Union is designed for use in general purpose, moderate temperature water application. Other solutions or oils may be used if they are non-corrosive to aluminum and compatible with nitrile rubber. The pipe plug installed in the end of the standard Rotary Union may be replaced with special elbows available from Duff Norton Europe to install either stationary or rotating siphon pipes for dual flow applications.

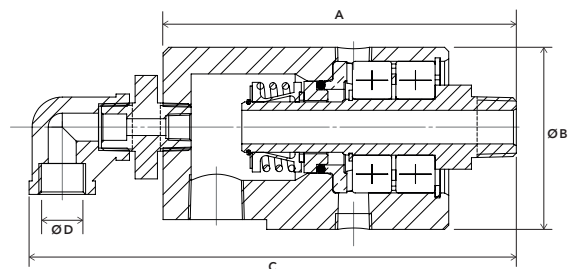
	DWPA817	DWPA821	DWPA827	DWPA834	DWPA842	DWPA849	DWPA860
Nominal Diameter (mm)	Ø 10	Ø 12	Ø 18	Ø 25	Ø 31	Ø 38	Ø 46
Overall Length (mm)	98	128	138,5	156,5	173	206	228
Overall Diameter (mm)	Ø 52	Ø 65	Ø 65	Ø 92	Ø 106	Ø 114	Ø 132
Shaft Connection (LH or RH)	BSPP ou NPT 3/8"	BSPP ou NPT 1/2"	BSPP ou NPT 3/4"	BSPP ou NPT 1"	BSPP ou NPT 1"1/4	BSPP ou NPT 1"1/2	BSPP ou NPT 2"
Housing Connection (RH only)	BSPP ou NPT 3/8"	BSPP ou NPT 1/2"	BSPP ou NPT 3/4"	BSPP ou NPT 1"	BSPP ou NPT 1"1/4	BSPP ou NPT 1"1/2	BSPP ou NPT 2"

Product Features

- Silicon carbide / carbon graphite seal faces provide long service life ;
- Internal bearing protection and threaded vented body to prevent lubricant washout ;
- Short run dry capability for initial machine start up ;
- Easy maintenance process with cartridges ;
- High precision ball bearings for smooth running and long life, even at high speed ;
- Anodized Aluminum (stator) ;
- Vent cap provided ;
- BS ring supplied with cylindrical thread.

Available in dual flow models with elbow Stainless Steel Elbows for threaded supply pipe or rotating supply pipe (not supplied)

	DWPA917	DWPA921	DWPA927	DWPA934	DWPA942	DWPA949	DWPA960
Nominal Diameter (mm)	Ø 10	Ø 12	Ø 18	Ø 25	Ø 31	Ø 38	Ø 46
Length A (mm)	98	128	138,5	156,5	173	206	228
Diameter B (mm)	Ø 52	Ø 65	Ø 65	Ø 92	Ø 106	Ø 114	Ø 132
Overall Length C (mm)	139	174	193	219	245	294	315
Connection D (BSP or NPT)	1/4"	3/8"	1/2"	3/4"	1"	1"1/4	1"1/4



Performance & Warranty

The DWPA Series Rotary Union has been tested in our lab and is covered by a one year warranty against defective materials or workmanship. Durability tests have been run at 14 bars and 1500 rpm.



45, route Nationale - 02310 Romeny-sur-Marne - FRANCE
 Tel. 33 (0) 3 23 70 70 00 - Fax 33 (0) 3 23 70 70 10
 Email: duff-france@duffnorton.fr
 www.duffnorton.fr

