



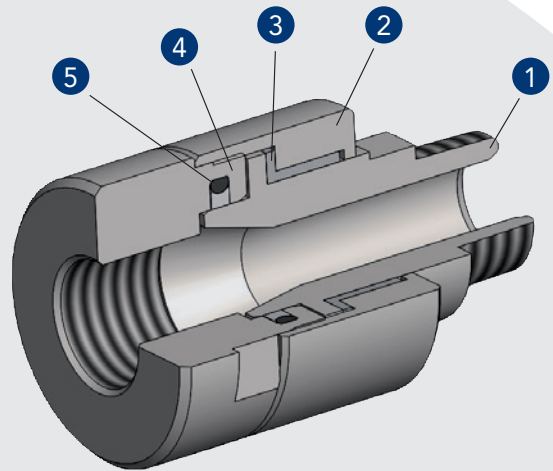
## DNTP Series



**Your First Choice**  
For Fluid Transfer solutions

# DNTP Series

1	Rotor	Carbon steel
2	Stator	Carbon steel
3	Bushing	Composite
4	Seal Holder	Carbon steel
5	Rotary seal	PTFE + FKM



## Working Parameters

Rotation	Fluid	Maximum Pressure	Working Temperature	Material
Swiveling Motion	Hydraulic Oil only	350 bars	Up to 130° C	Nickel Plated Carbon Steel

## The Duff-Norton Europe DNTP Series Rotary Union

has been specifically designed to respond to the extreme conditions of Construction and Farming applications. Its nickel plated carbon steel design avoids the twisting effect of flexible hoses in any weather and temperature conditions.

	DNTP13K	DNTP17K	DNTP21K	DNTP27K	DNTP34K
Nominal Diameter (DN)	8 mm	10 mm	13 mm	18 mm	24 mm
Overall Length	70.50 mm	70.50 mm	76.50 mm	88 mm	88 mm
Overall Diameter	48 mm	48 mm	48 mm	54 mm	54 mm
Connection	1/4" BSP/BSPP	3/8" BSP/BSPP	1/2" BSP/BSPP	3/4" BSP/BSPP	1" BSP/BSPP
Maximum Pressure	350 bars	350 bars	350 bars	350 bars	350 bars
Weight	0.65 Kg	0.65 Kg	0.65 Kg	0.90 Kg	0.80 Kg
Packaging Lot	10 items	10 items	10 items	6 items	6 items

## Product Features

- Robust and Compact,
- Anti-seize coating,
- Extra long life,
- Lubricated bushing technology,
- Anticorrosion coating,
- In-stock items,
- PTFE/FPM Rotary Seal,
- Maintenance free,
- Hydraulic Oil Only.



45, route Nationale - 02310 Romeny-sur-Marne - FRANCE  
 Tel. 33 (0) 3 23 70 70 00 - Fax 33 (0) 3 23 70 70 10  
 Email : [duff-france@duffnorton.fr](mailto:duff-france@duffnorton.fr)  
<http://www.duffnorton.fr>



FlashCode format vcard