

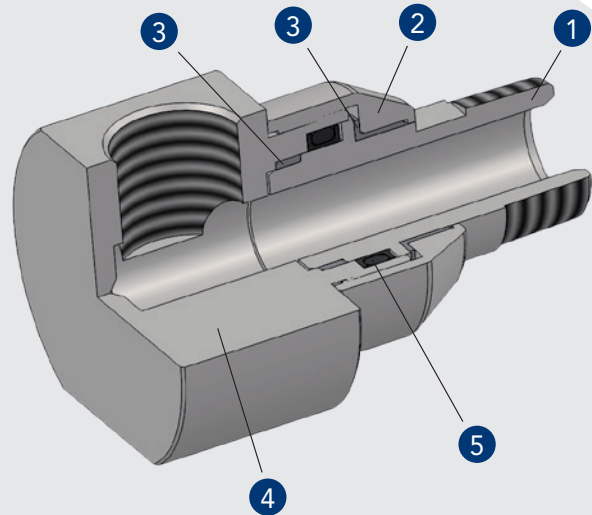
## DNCHPR Series



**Your First Choice**  
For Fluid Transfer solutions

# DNCHPR Series

1	Rotor:	Carbon Steel
2	Housing:	Carbon Steel
3	Bushings:	Composite
4	Seal Holder:	Carbon Steel
5	Rotary Seal:	PTFE & FKM



## Working Parameters

Rotation	Fluid	Maximum Pressure	Working Temperature	Material
Swiveling Motion	Hydraulic Oil only	350 bars	Up to 130° C	Nickel Plated Carbon Steel

## The Duff-Norton Europe DNCHPR Series Rotary Union

is an upgrade of the current DNTP Series and is specifically designed to respond to the extreme conditions encountered in Construction and Farming applications. Compared to the DNTP series, the DNCHPR Series offers better performance in terms of weight, torque, and reliability in these applications.

Its simple design, using nickel plated carbon steel for corrosion resistance, prevents high pressure hoses from twisting in any weather and temperature condition.

Part Number	DNCHP13KR		DNCHP17KR		DNCHP21KR		DNCHP27KR		DNCHP34KR	
Maximum Pressure	350 bars		350 bars		350 bars		350 bars		350 bars	
Threads	BSP	NPT	BSP	NPT	BSP	NPT	BSP	NPT	BSP	NPT
Connections	1/4"		3/8"		1/2"		3/4"		1"	
Nominal Diameter (mm)	8		10		13		18		24	
Overall Length (mm)	67,5		72,5		83		92		111,5	
Outside Diameter (mm)	39		43		56		63		77	
Weight (kg)	0,268		0,398		0,722		0,995		1,822	
Packaging Lot	5		5		5		3		3	

## Product Features

- Robust and Compact,
- Anti-seize coating,
- Extra long life,
- Lubricated bushing technology,
- Anticorrosion coating,
- In-stock items,
- PTFE/FPM Rotary Seal,
- Maintenance free,
- Hydraulic Oil Only.



45, route Nationale - 02310 Romeny-sur-Marne - FRANCE  
 Tél. 33 (0) 3 23 70 70 00 - Fax 33 (0) 3 23 70 70 10  
 Email : [duff-france@duffnorton.fr](mailto:duff-france@duffnorton.fr)  
<http://www.duffnorton.fr>



FlashCode format vcard